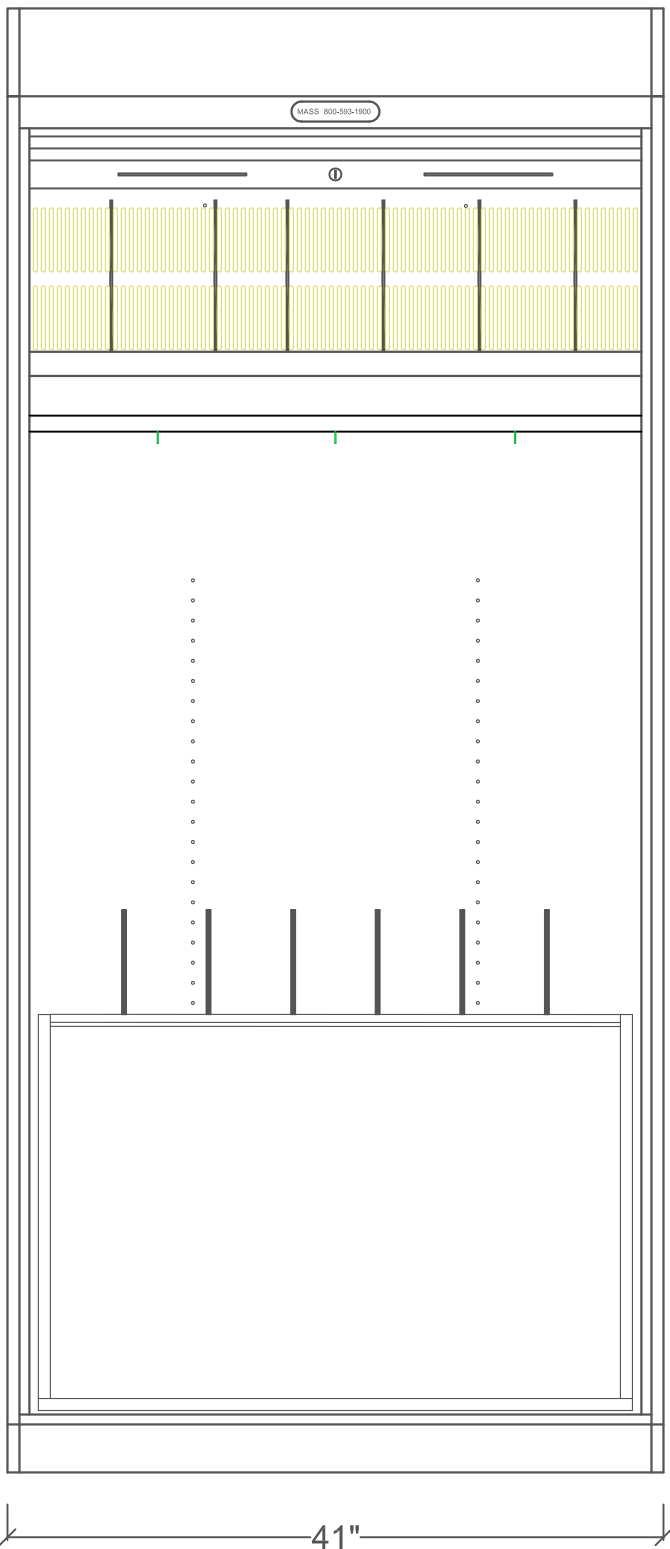


Item
M2200 MASS™ WALL STORAGE CABINET
with FlexLok™ Door

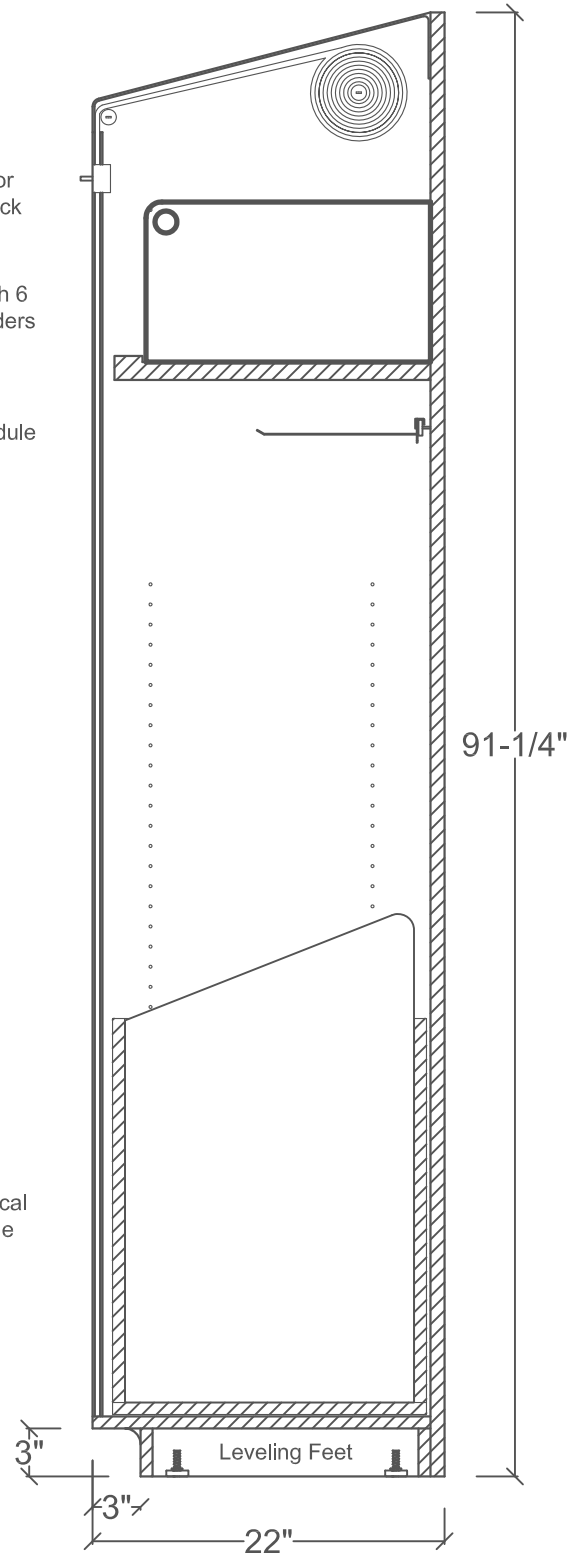


FlexLok™ Door
with Keyed Lock

Upper Fixed
SlotShelf™ with 6
Adjustable Dividers

Hanger Bar Module

Slide-Out Vertical
Divider Module



91-1/4"

3"
3"
Leveling Feet

22"

41"

| | | | | |
|--|---------------|------------|----------------|-----------|
| MASS Medical Storage 14560 West 99th St. Lenexa, KS 66215 USA Fax 913-438-2275 Toll Free 1-800-593-1900 | Customer: | | | |
| | Quote#: | Date: | Rev #: | Rev Date: |
| | Drawn By: BMF | MASS Apvd: | Customer Apvd: | |