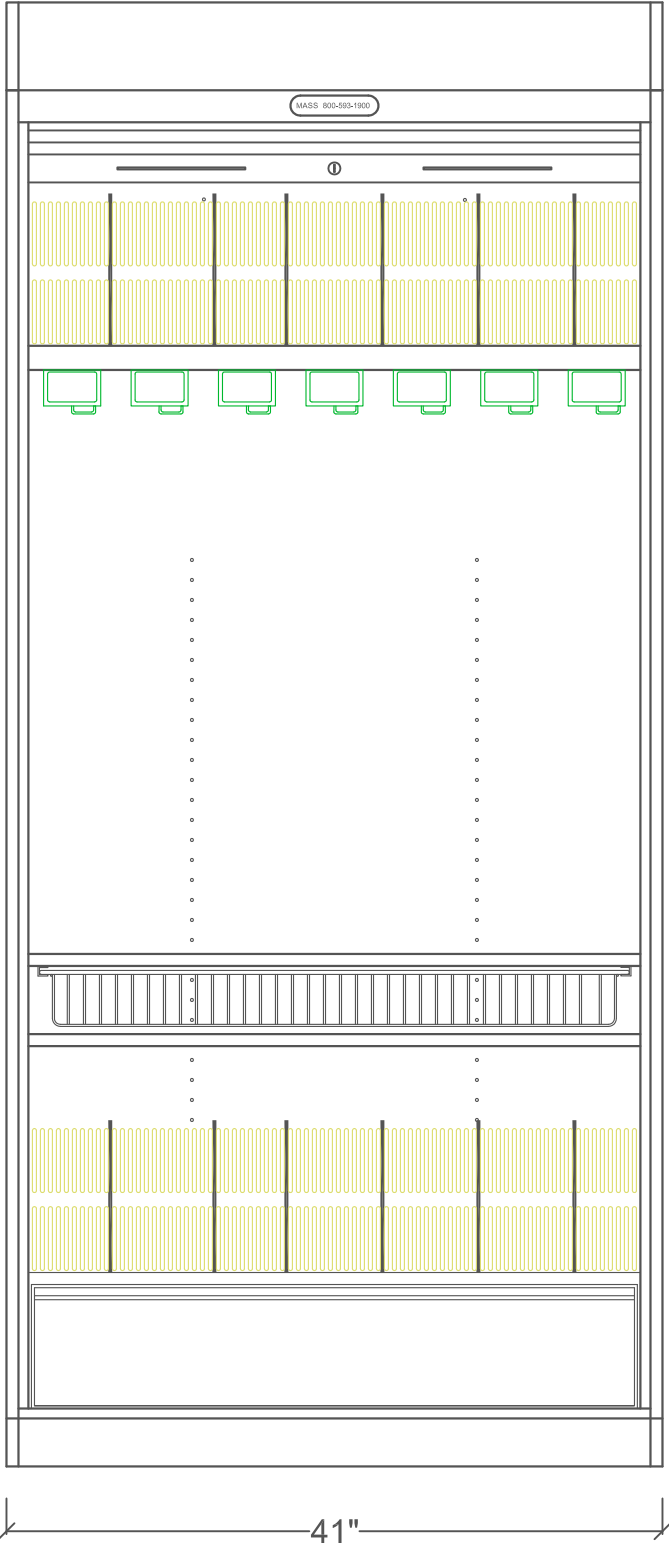
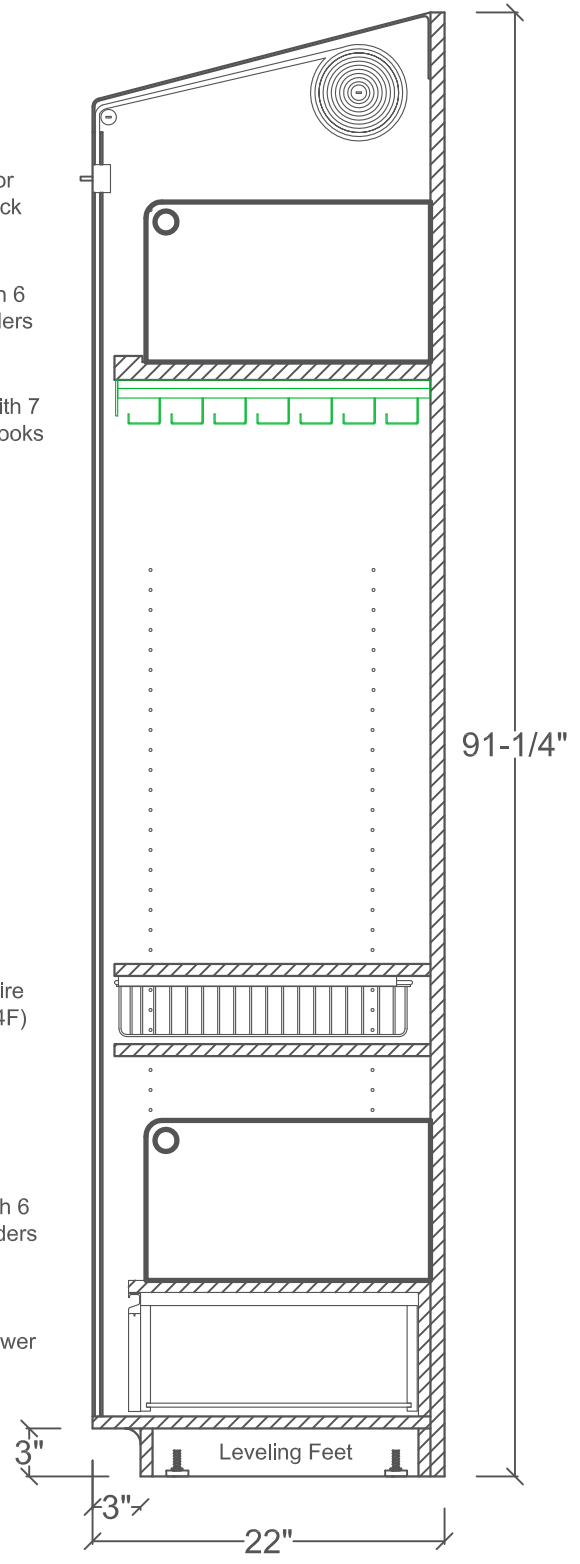


Item
M2200 MASS™ WALL STORAGE CABINET
 with FlexLok™ Door



- FlexLok™ Door with Keyed Lock
- Upper Fixed SlotShelf™ with 6 Adjustable Dividers
- 7 FIFOglides with 7 Rotating Cath Hooks (M2267)
- 4" Full Size Wire Basket (M2234F) LokShelf™ (M2215)
- SlotShelf™ with 6 Adjustable Dividers (M2255)
- 8" Full Size Drawer (M2248)



MASS Medical Storage
 14560 West 99th St.
 Lenexa, KS 66215 USA
 Fax 913-438-2275
 Toll Free 1-800-593-1900

Customer:				
Quote#:	Date:	Rev #:	Rev Date:	
Drawn By: BMF	MASS Apvd:	Customer Apvd:		