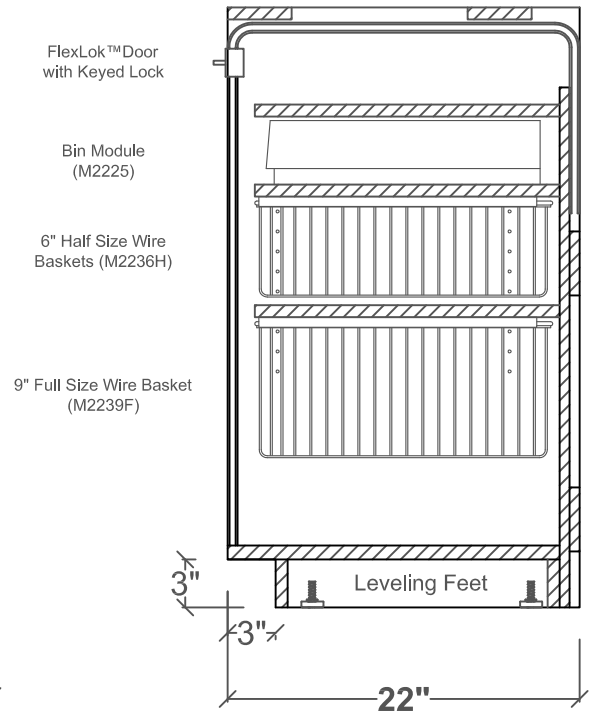
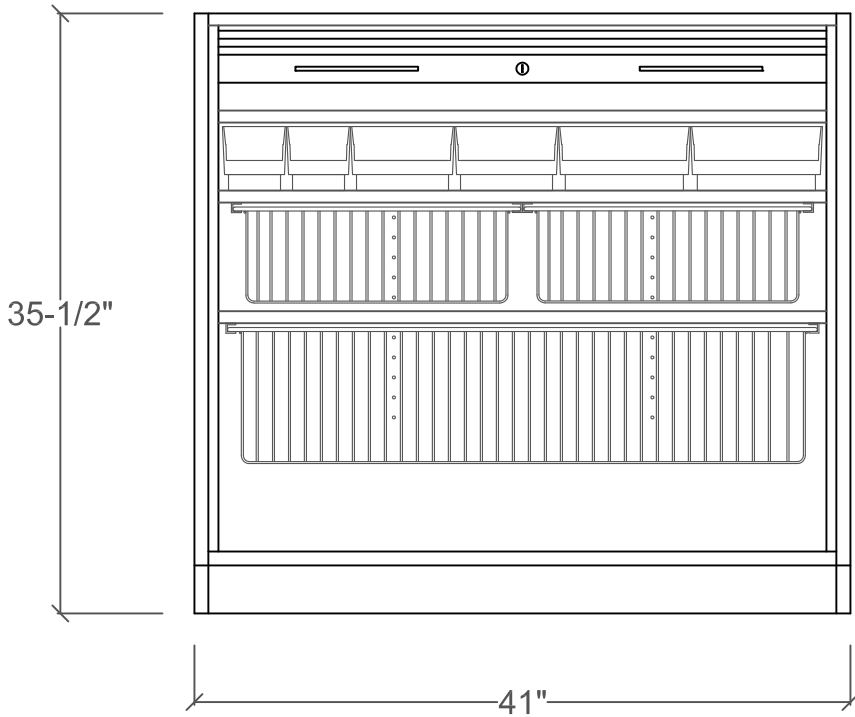
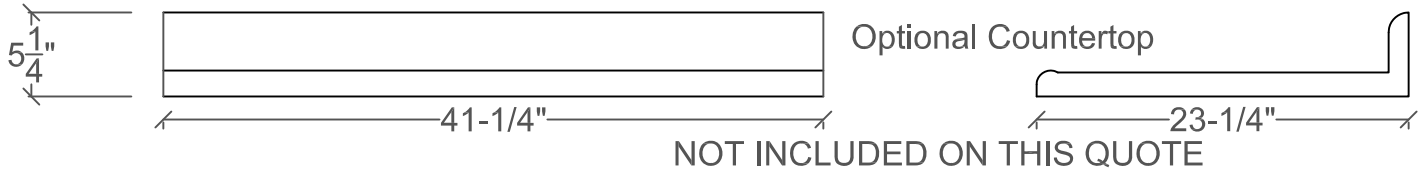


Item
M2201 MASS™ LOWER WALL STORAGE CABINET
 with FlexLok™ Door



MASS Medical Storage 14560 West 99th St. Lenexa, KS 66215 USA Fax 913-438-2275 Toll Free 1-800-593-1900	Customer:			
	Quote#:	Date:	Rev #:	Rev Date:
	Drawn By: BMF	MASS Apvd:	Customer Apvd:	