

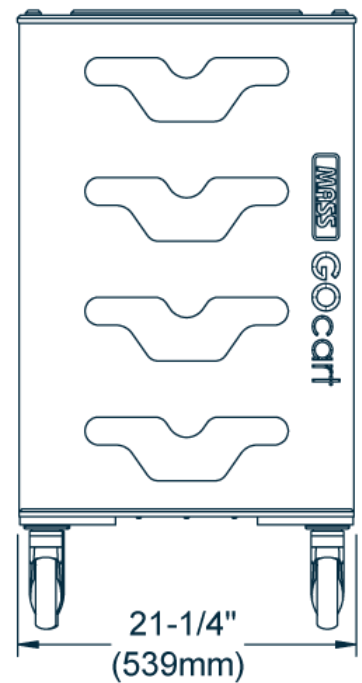
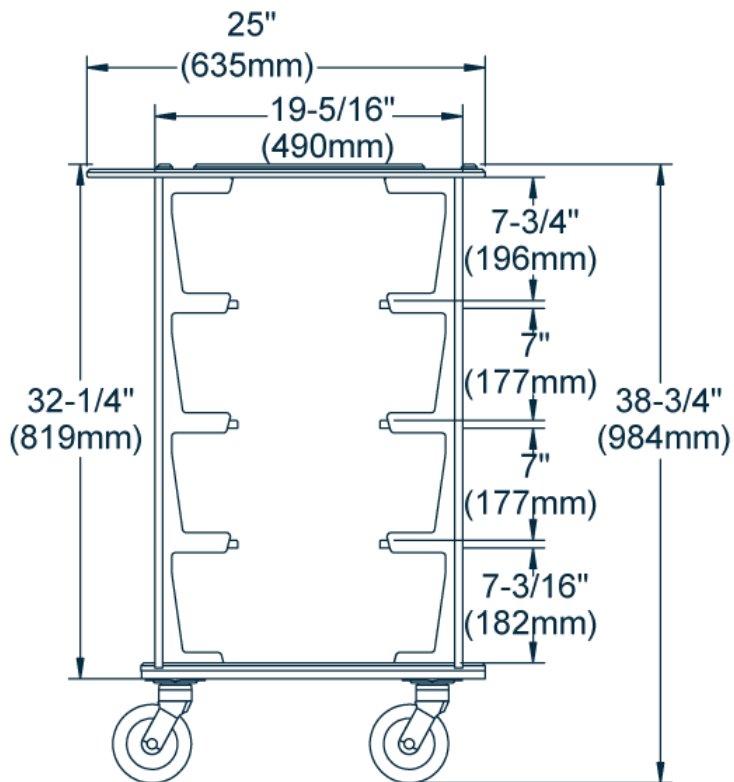
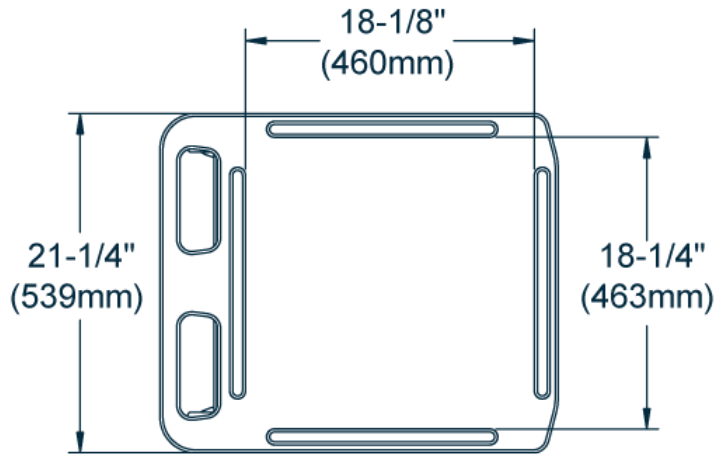
Model Numbers: P6204
Color: Bright White
Capacity: 4 Flexible Endoscopes

Ext. Dimensions: 25"D x 21.25"W x 38.75"H
Construction: High-density Polyethylene (HDPE) Plastic
Options: Additional Trays with Lids
Transport Liners
(Sterile/Non-Sterile, Clear/Green/Red)

Features



Measurements



Options

Additional Trays and Lids	Sterile Liners	Non-Sterile Liners
